

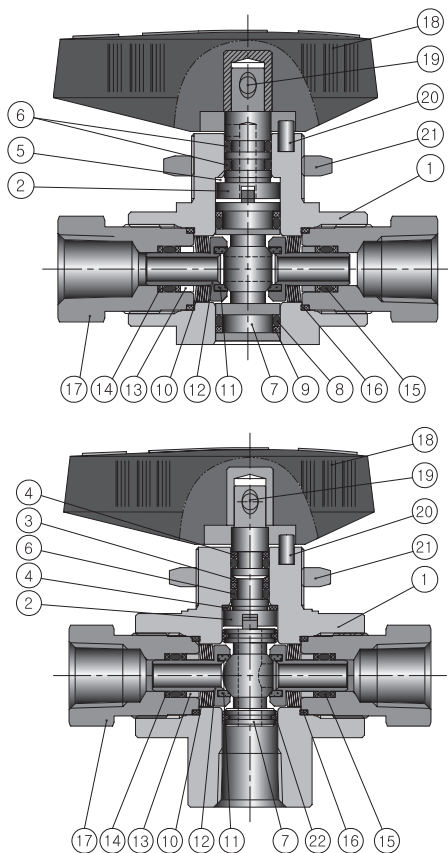
STBV60 Series Trunnion Ball Valves

Features

- Pressure rating up to 6000psig (413bar) @ 21°C (70°F).
- Maximum flow in a compact design.
- Panel mountable as standard.
- Handle indicates flow direction.
- Lower torque actuation.
- 2-way "Shut-up" and 3-way "Switching" type.
- Variety of end connections include reliable S-LOK tube fittings Male/Female NPT & ISO/BSP threads.
- Optional sour gas service to NACE MR 0175.
- Every valve is 100% factory tested with Nitrogen @ 1000psig (69bar).



Material of Construction

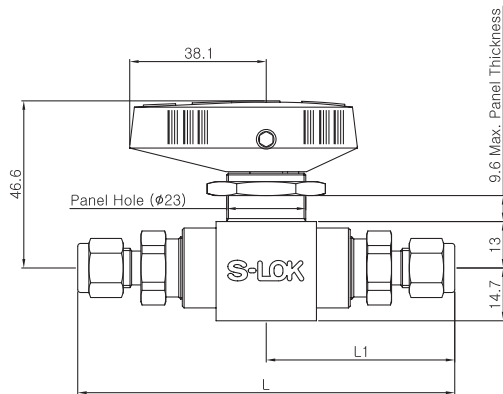


No	Component	Material	
		2-Way	3-Way
1	Body	SS316 / A479 or A276, A182	
2	*Stem	SS316 / A479 or A276	
3	*Stem Support Ring	-	PEEK
4	*Stem Backup Ring	-	PTFE
5	*Stem Bearing	PEEK	
6	*Stem O-ring	FKM	
7	*Trunnion Ball	SS316 / A479 or A276	
8	*Ball O-ring	FKM	-
9	*Ball Backup Ring	PTFE	-
10	*Disc Spring	Alloy X-750	
11	*Seat	PCTFE (Optional PTFE, PEEK)	
12	*Seat Carrier	Stainless Steel	
13	*Seat Carrier Guide	SS316 / A479 or A276	
14	*Seat Carrier Backup Ring	PTFE	
15	*Seat Carrier O-ring	FKM	
16	*Connector Seal	PTFE	
17	End Connector	SS316 / A479 or A276	
18	*Handle	Phenolic with Brass Insert	
19	*Set Screw	Stainless Steel	
20	Stop Pin	Stainless Steel	
21	Lock Nut	Stainless Steel	
22	*Slip Ring	-	PTFE

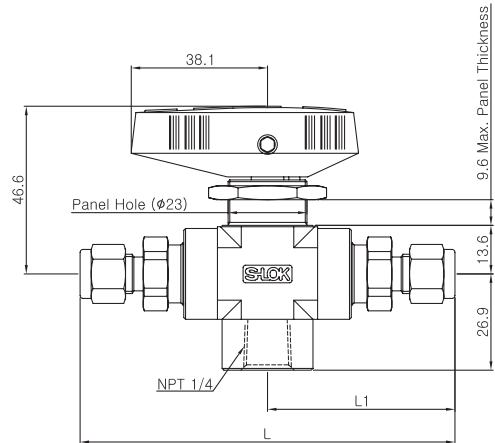
* Service kits contain part.

↗ Dimensions

2-Way (Shut-off Valves)



3-Way (Switching Valves)



Ordering Number		Orifice		Cv	End Connections		Dimensions (mm)	
		mm	inch		Inlet	Outlet	L	L1
STBV	F-2N	4.75	0.187	1.2	1/8" Female NPT		76.2	38.1
	F-4N			1/4" Female NPT		76.2	38.1	
	F-8N			1/2" Female NPT		108.2	54.1	
	S-4T			1/4" S-LOK		105.2	52.6	
	S-6T			3/8" S-LOK		111.2	55.6	
	S-8T			1/2" S-LOK		116.8	58.4	
	S-6M			6mm S-LOK		105.2	52.6	
	S-8M			8mm S-LOK		105.2	52.6	
	S-10M			10mm S-LOK		111.8	55.9	
	S-12M			12mm S-LOK		116.8	58.4	
STBV-3B	F-2N	4.75	0.187	0.75	1/8" Female NPT		76.2	38.1
	F-4N				1/4" Female NPT		76.2	38.1
	S-4T				1/4" S-LOK		105.2	52.6
	S-6T				3/8" S-LOK		111.2	55.6
	S-8T				1/2" S-LOK		116.8	58.4
	S-6M				6mm S-LOK		105.2	52.6
	S-8M				8mm S-LOK		105.2	52.6
	S-10M				10mm S-LOK		111.8	55.9
	S-12M				12mm S-LOK		116.8	58.4

* Bottom port of all 3-way valves is 1/4" Female NPT.

Technical Data

Pressure and Temperature Rating

Seat Material	Pressure Rating @21°C (70°F)	Temperature Range
PCTFE	6000psig (413 bar)	-17 to 121°C (0 to 250°F)
PEEK	6000psig (413 bar)	-17 to 232°C (0 to 450°F)
PTFE	1500psig (103 bar)	-17 to 232°C (0 to 450°F)

CNG / NGV Certifications (STBVC Series)

- STBVC Series valve provides leak tight integrity in both low and high pressure systems in CNG & NGV applications.
- Valves with PEEK seat and HNBR O-ring are compatible with CNG fluid.

Valve Series	Certificates	ECE R110	ANSI NGV3.1-2012	ISO 15500
STBVC / STBVC-3B	CERT. No.	E4-110R-010333	126840AUT14	12684MECH103
	Classification	Class 0	P36	Manual Valve
	Temperature Range	-40 to 120°C (-40 to 248°F)	-40 to 120°C (-40 to 248°F)	-40 to 120°C (-40 to 248°F)
	Pressure Rating	260 bar	248 bar	260 bar

Testing

- The rated pressure shown above is the maximum allowable pressure to the seat. If the system requires higher pressure to test, the valve must be in open position before and during test so as not to damage the seat.
- Every valve is tested for bubble-tight leakage at both seat and stem packing with nitrogen at 1000psig (69bar).
- Seats have a maximum allowable leak rate of 0.1(SCCM).
- Optional tests are available upon request.

Ordering Information

Product

STBV	S	4T	PK	MH	SG	S6
Valve Series	Connection Type	Connection Size	Seat Material	Handle	Sour Gas	Body Material
<ul style="list-style-type: none"> • STBV : 2-Way Straight • STBV-3B : 3-Way Switching • STBVC : CNG / NGV Service 			<ul style="list-style-type: none"> • Nil : PCTFE for STBV PEEK for STBVC (Standard) • PK : PEEK • TE : PTFE 	<ul style="list-style-type: none"> • Nil : Black Nylon • MH : 316 Stainless Steel 	<ul style="list-style-type: none"> • Nil : Without (Standard) • SG : Sour Gas Service 	<ul style="list-style-type: none"> • S6 : 316 Stainless Steel

Service Kit

- Service kits contain components of the same materials as new components.
- To order the service kit selection of the applicable options from the designators are listed mark(*) of Material of Construction.

STBV	3B	SKIT	WHN	S6
Valve Series	Port Way	Service Kit	Handle Option	Body Material
<ul style="list-style-type: none"> • STBV : 2-Way Straight • STBVC : CNG / NGV Service 	<ul style="list-style-type: none"> • Nil : 2-Way Straight • 3B : 3-Way 		<ul style="list-style-type: none"> • Nil : Standard • WHN : Nylon Handle • WMH : Metal Handle 	<ul style="list-style-type: none"> • S6 : 316 Stainless Steel