

SDBV Series Ball Valves for DIN Standard

↗ Features

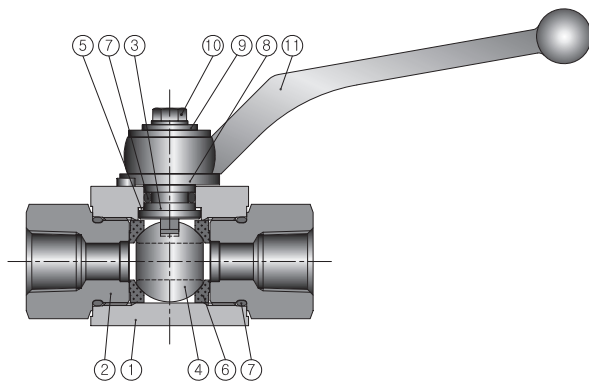
- Pressure rating up to 500bar @ 21°C.
- Temperature rating from -20°C to 100°C with POM and FKM standard.
- Conforms to DIN standard.
- Compact design with maximum orifice.
- Variety of end connections such as DIN2353 "L" & "S" series, Male/Female DIN / ISO / BSP and NPT threads.
- Handle is only available in cast stainless steel standard.
- Every valve is 100% factory tested with Nitrogen @ 1000psig (69bar).



↗ Applications

- Hydraulic fluids, Compressed air, Lubricants and Fuel oil system

↗ Materials of Construction



No	Component	Material
1	Body	SS316 / A479 or A276 DIN 17440 / 1.4401
2	End Connector	
3	Stem	
4	Ball	
5	Stem Bearing	PEEK
6	Ball Seat	POM (Optional PTFE)
7	Stem & End Seal	FKM
8	Locking Device	Stainless Steel
9	Upper Washer	Stainless Steel
10	Hex Bolt	Stainless Steel
11	Handle	A351 CF8M

↗ Temperature Rating

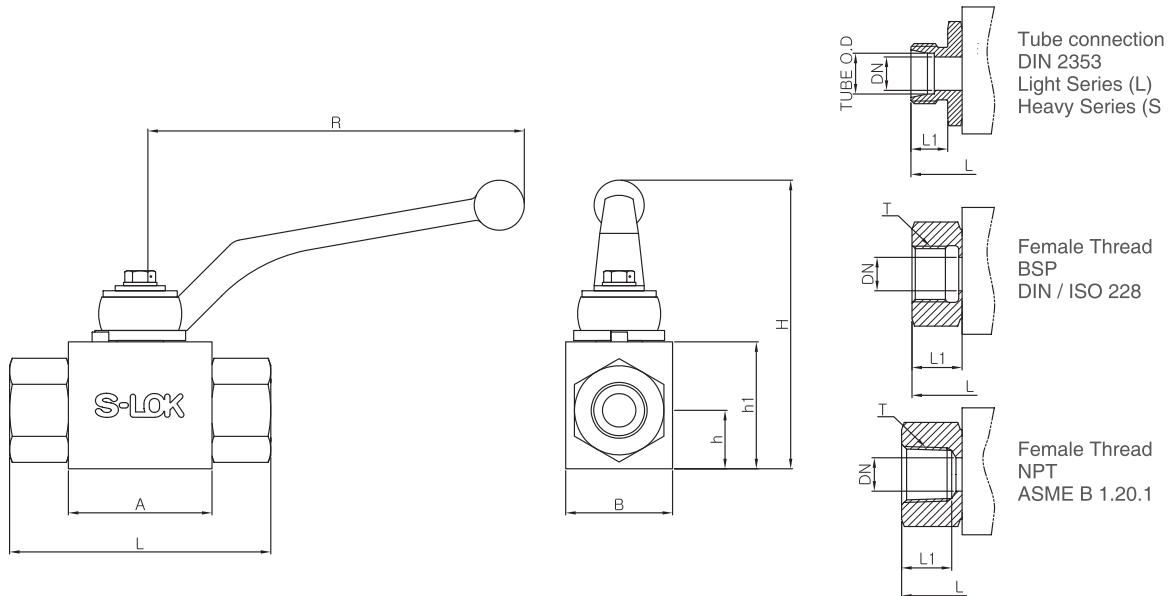
Seal Material	Temperature Range
NBR	-23 to 121°C
FKM	-23 to 200°C
EPDM	-46 to 149°C

Seat Material	Temperature Range
POM	-30 to 100°C
PTFE	-54 to 65°C

↗ Testing

- Every valve is tested for bubble-tight leakage at both seat and stem packing with nitrogen @ 1000psig (69bar).
- Seats have a maximum allowable leak rate of 0.1(SCCM).
- Hydraulic shell test is performed at 1.5 times the working pressure.

Dimensions



DIN 2353 Light (L) Tube Series

Ordering Number	DN	PB	End Connections		Dimensions (mm)								Weight (kg)
			Inlet	Outlet	L	L1	A	B	H	h	h1	R	
SDBV1	6L	4	315	6mm	67.0	10.0	40.0	26.0	82.0	13.5	33.0	115.0	0.4
	8L	6		8mm	67.0	10.0							0.4
	10L	6		10mm	74.0	11.0							0.5
SDBV2	12L	10	315	12mm	74.0	11.0	43.0	32.0	87.0	17.5	38.0	115.0	0.6
SDBV3	15L	13	315	15mm	82.0	12.0	48.0	35.0	89.0	19.0	40.0	115.0	0.7
	18L	13		18mm	82.0	12.0							0.8
SDBV4	22L	20	160	22mm	101.0	14.0	62.0	49.0	114.0	24.5	57.0	159.0	2.1
SDBV5	28L	25	160	28mm	108.0	14.0	66.2	58.0	122.0	29.5	65.0	159.0	2.3
	35L	25		35mm	112.0	16.0							2.3

DIN 2353 Heavy (S) Tube Series

Ordering Number	DN	PB	End Connections		Dimensions (mm)								Weight (kg)
			Inlet	Outlet	L	L1	A	B	H	h	h1	R	
SDBV1	8S	4	500	8mm	73.0	12.0	40.0	26.0	82.0	13.5	33.0	115.0	0.4
	10S	6		10mm	73.0	12.0							0.4
SDBV2	12S	6	500	12mm	76.0	12.0	43.0	32.0	87.0	17.5	38.0	115.0	0.5
	14S	10		14mm	80.0	14.0							0.6
SDBV3	16S	13	400	16mm	86.0	14.0	48.0	35.0	89.0	19.0	40.0	115.0	0.7
	20S	13		20mm	90.0	16.0							0.8
SDBV4	25S	20	315	25mm	109.0	18.0	62.0	49.0	114.0	24.5	57.0	159.0	2.1
SDBV5	30S	25	315	30mm	120.0	20.0	66.2	58.0	122.0	29.5	65.0	159.0	2.3
	38S	25		38mm	124.0	22.0							2.3

Female BSP (DIN / ISO 228)

Ordering Number	DN	PB	End Connections		Dimensions (mm)								Weight (kg)	
			Inlet	Outlet	L	L1	A	B	H	h	h1	R		
SDBV1	F-2G	6	500	PF 1/8"		68.8	10.0	40.0	26.0	82.0	13.5	33.0	115.0	0.4
	F-4G			PF 1/4"		68.8	14.0							0.4
SDBV2	F-6G	10	500	PF 3/8"		71.9	14.0	43.0	32.0	87.0	17.5	38.0	115.0	0.6
SDBV3	F-8G	13	500	PF 1/2"		82.3	16.5	48.0	35.0	89.0	19.0	40.0	115.0	0.7
SDBV4	F-12G	20	315	PF 3/4"		95.4	18.0	62.0	49.0	114.0	24.5	57.0	159.0	1.6
SDBV5	F-16G	25	315	PF 1"		112.7	20.0	66.2	58.0	122.0	29.5	65.0	159.0	2.3
SDBV6	F-20G	32	315	PF 1-1/4"		120.0	22.0	68.0	75.0	165.0	37.5	82.0	260.0	4.4
SDBV7	F-24G	38	315	PF 1-1/2"		130.0	24.0	85.0	95.0	182.0	47.5	99.1	260.0	6.8
SDBV8	F-32G	50	315	PF 2"		140.0	26.0	100.0	115.0	198.0	57.5	115.2	260.0	9.5

Female NPT (ASME B 1.20.1)

Ordering Number	DN	PB	End Connections		Dimensions (mm)								Weight (kg)	
			Inlet	Outlet	L	L1	A	B	H	h	h1	R		
SDBV1	F-4N	6	500	NPT 1/4"		68.8	15.0	40.0	26.0	82.0	13.5	33.0	115.0	0.4
SDBV2	F-6N	10	500	NPT 3/8"		78.0	15.0	43.0	32.0	87.0	17.5	38.0	115.0	0.7
SDBV3	F-8N	13	500	NPT 1/2"		104.0	20.5	48.0	35.0	89.0	19.0	40.0	115.0	1.0
SDBV4	F-12N	20	315	NPT 3/4"		102.0	21.5	62.0	49.0	114.0	24.5	57.0	159.0	1.8
SDBV5	F-16N	25	315	NPT 1"		119.0	25.4	66.2	58.0	122.0	29.5	65.0	159.0	2.5
SDBV6	F-20N	32	315	NPT 1-1/4"		120.0	27.0	68.0	75.0	165.0	37.5	82.0	260.0	4.4
SDBV7	F-24N	38	315	NPT 1-1/2"		130.0	27.0	85.0	95.0	182.0	47.5	99.1	260.0	6.8
SDBV8	F-32N	50	315	NPT 2"		162.0	31.0	100.0	115.0	198.0	57.5	115.2	260.0	11.5

Ordering Information

