

Ball & Plug Valves

The best partner for value creation
We support the innovations of customers



12



Catalogue No. S-LOK Oct.2020

SBV10 / 20 Series Ball Valves

✦ Features

- Compact design with hexagon bar-stock for high integrity.
- Working pressure up to
 - 1000psig (69bar) at 21 °C (70 °F) - SBV10 Series
 - 2000psig (137.9bar) at 21 °C (70 °F) - SBV20 Series
- Temperature range : -42 °C (-44 °F) to 232 °C (450 °F)
- Low torque quarter turn actuation.
- Size range of from 1/4" to 2" tubing and piping.
- Various end connections : Reliable S-LOK, NPT, ISO male & female.
- Butterfly handle or Key lock handle is available as option.
- Locking device handle in on and off position.



✦ Applications

- Water, Oil, Gas
- Petrochemical Plants
- Steel mills
- Heavy Vehicles

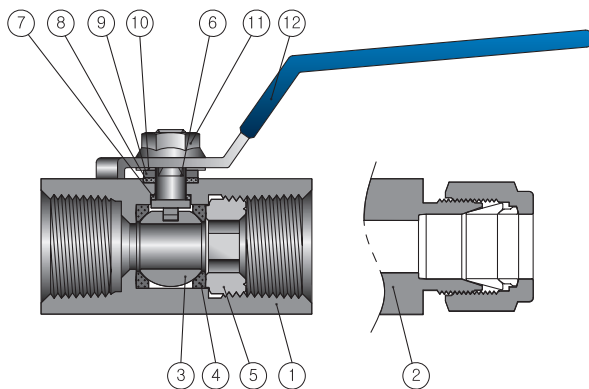
✦ O-ring Seal Materials

Seal Material	Temperature Range
FKM	-23 to 204 °C
HNBR	-42 to 150 °C

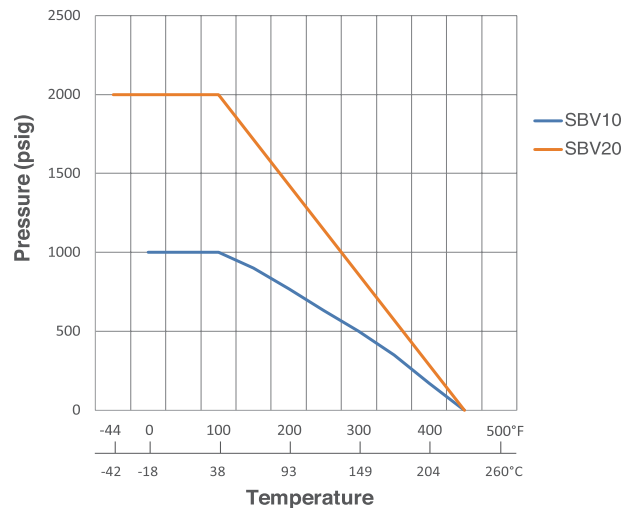
✦ Testing

- Every valve is factory tested with Nitrogen @ 1000psig (69bar) to maximum allowable leak of 0.1 (SSCM).
- The stem packing is tested for no detectable leakage.

✦ Materials of Construction



✦ Pressure and Temperature Ratings



No	Component	Material	
		Stainless Steel	Brass
1	Body	SS316 / A479 or A276	B16 or JIS H3250
2	End Connector	SS316 / A479 or A276	B16 or JIS H3250
	O-ring	Viton / *HNBR	NBR
3	Ball	SS316 / A479 or A276	
4	Seat	Reinforced PTFE / * Modified PTFE	
5	Insert	SS316 / A479 or A276	B16 or JIS H3250
6	Stem	SS316 / A479 or A276	
7	Lower Packing	Reinforced PTFE	
8	Upper Packing	Reinforced PTFE	
9	Gland	Stainless Steel	
10	Gland Washer	Stainless Steel	
11	Flange Nut	Stainless Steel	
12	Handle	Stainless Steel with PVC Coating	

* HNBR / Modified PTFE is a base option for SBV20 Series.