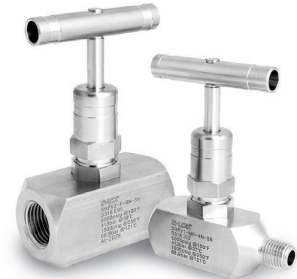


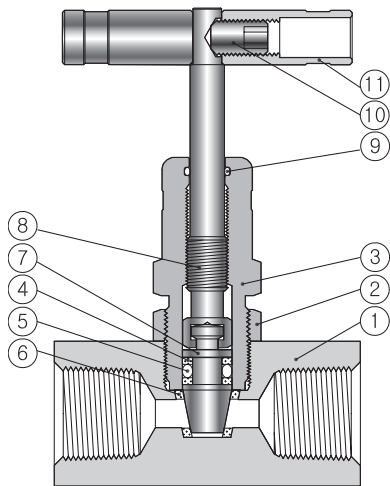
SRPV Series Rising Plug Valves

Features

- Bi-directional flow control.
- Replaceable seat design: Acetal seat standard, optional PEEK and PFA are available.
- Non-rotating Stem Tip are composed for positive sealing and maximize soft seat life.
- Internal bonnet O-ring protects threads from external contamination.
- Isolated threads' location above the sealing rings prevent media contamination and thread lubricant washout.



Material of Construction



No	Component	Material
1	Body	SS316 / A276 or A479
2	Locking Nut	SS316 / A276 or A479
3	Bonnet	SS316 / A276 or A479
4	Backup Ring	PTFE
5	O-ring	FKM
6	Seat	ACETAL (Optional PEEK, PFA)
7	Stem Tip	SS316 / A276 or A479
8	Stem Shank	SS316 / A276 or A479
9	O-ring	FKM
10	Handle	Stainless Steel
11	Set Screw	Stainless Steel

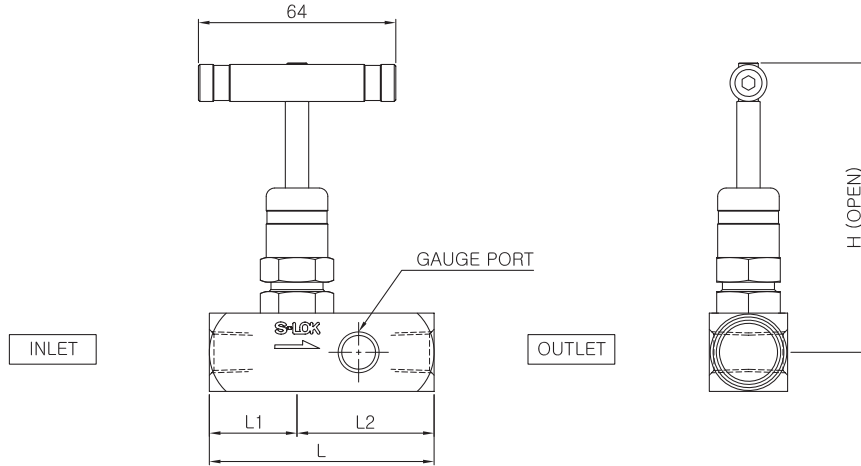
Pressure-Temperature Ratings

Ratings are based on standard stem tip of FKM O-ring and PTFE backup rings.

Body Material	SS316		
	ACETAL	PEEK	PFA
Temperature, °F(°C)	Working Pressure, psig (bar)		
-20 (-28) to 100 (37)	6000 (413)	6000 (413)	750 (51.6)
200 (93)	2650 (182)	3000 (206)	625 (43.0)
250 (121)	1000 (68.9)	1600 (110)	450 (31.0)
300 (148)	-	1300 (89.5)	300 (20.6)
350 (176)	-	1200 (82.6)	200 (13.7)
400 (204)	-	1000 (68.9)	100 (6.8)

Valve with ACETAL seat : For water and steam application, standard valve with ACETAL seat is not recommended for application of greater than 200°F(93°C) temperature.

Ordering Information and Dimensions



Ordering Number	End Connections		Orifice mm(in.)	Cv	Dimensions, mm(in.)				
	Inlet	Outlet			L	L ₁	L ₂	H	
SRPV1	F-4N	1/4" Female NPT		4.8 (0.187)	0.63	56.9 (2.24)	28.4 (1.12)	28.4 (1.12)	95.8 (3.77)
	MF-4N	1/4" Male NPT	1/4" Female NPT			73.4 (2.90)	45.2 (1.78)		
	MF-8N4N	1/2" Male NPT	1/4" Female NPT			76.5 (3.01)	48.0 (1.89)		
SRPV1-G4	F-4N	1/4" Female NPT				72.9 (2.87)	28.4 (1.12)	44.4 (1.75)	
	MF-8N-4N	1/2" Male NPT	1/4" Female NPT			124 (4.87)	79.2 (3.12)		
SRPV2	F-8N	1/2" Female NPT				6.2 (0.24)	1.8	67.6 (2.66)	
	MF-8N	1/2" Male NPT	1/2" Female NPT	88.6 (3.49)	54.9 (2.16)				
	MF-12N8N	3/4" Male NPT	1/2" Female NPT	90.9 (3.58)	33.8 (1.33)				
SRPV2-G8	F-8N	1/2" Female NPT		142 (5.58)	84.6 (3.33)			57.2 (2.25)	
	MF-8N	1/2" Male NPT	1/2" Female NPT						
		3/4" Male NPT	1/2" Female NPT						

- SRPV1-G4 gauge port : 1/4" Female NPT, SRPV2-G8 gauge port : 1/2" Female NPT
- All dimensions shown are for reference only and are subjected to change.

Testing

- Each Rising plug valve is tested with nitrogen @ 1,000 psig (69 bar) to max. leak rate of 0.1 (SSCM).
- Hydrostatic shell test is performed at 1.5 times the working pressure as an option.
- Other tests are available upon request.