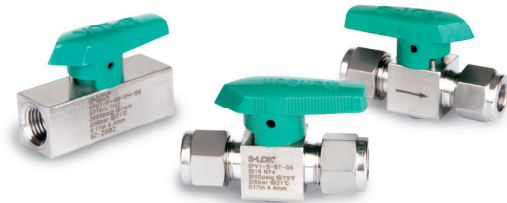


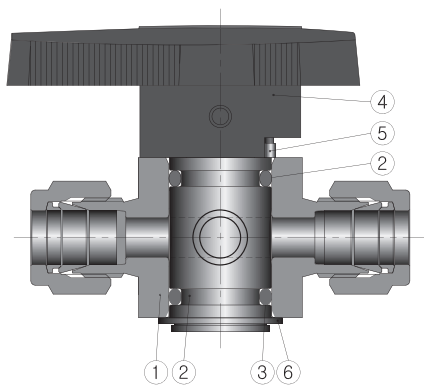
SPV30 Series Plug Valves

✦ Features

- Pressure rating up to 3000psi @ 21 °C (70 °F).
- Temperature rating from -23 °C to 204 °C with PTFE coated FKM seal.
- Small and compact design.
- Easy maintenance and cleaning.
- Size available up to 1/2" tube and pipe.
- Body material available in 316 stainless steel and brass.



✦ Materials of Construction



No	Component	Material	
		Stainless Steel	Brass
1	Body	SS316 / A479 or A276	B16 or JIS H3250
2	Plug	PTFE Coated SS316 / A479 or A276	PTFE Coated Brass / B16
3	O-ring	PTFE Coated FKM Standard	
4	Handle	Nylon	
5	Pin	Stainless Steel	
6	Snap Ring	Stainless Steel	

✦ Technical Data

Pressure and Temperature Ratings

Valve Series	Body Material	Pressure Rating @21°C (70°F)	Temperature Range
SPV1	Stainless Steel	3000psig (206 bar)	-23 to 204 °C (-10 to 400 °F)
	Brass		
SPV2	Stainless Steel	3000psig (206 bar)	
	Brass	2000psig (137 bar)	

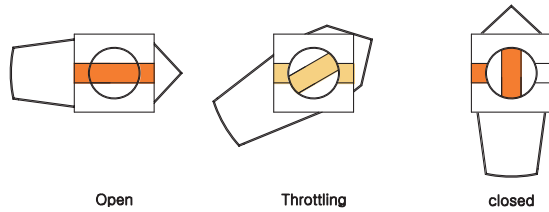
- Differential pressure is limited to maximum 150psig (10.3bar) when reverse flow occurs.
- Throttling reverse flow may damage O-ring.

Optional O-ring Material Temperature Ratings

Seal Material	Temperature Range
FKM (PTFE Coated)	-28 to 204 °C (-20 to 400 °F)
NBR (PTFE Coated)	-20 to 105 °C (-68 to 221 °F)
EPDM (PTFE Coated)	-45 to 135 °C (-49 to 275 °F)

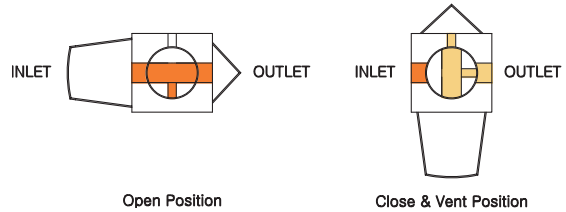
Operation

- S-LOK plug valves provide positive shut-off, high flow capacity and quick quarter-turn operation.
- S-LOK plug valves provides flow throttling capability.

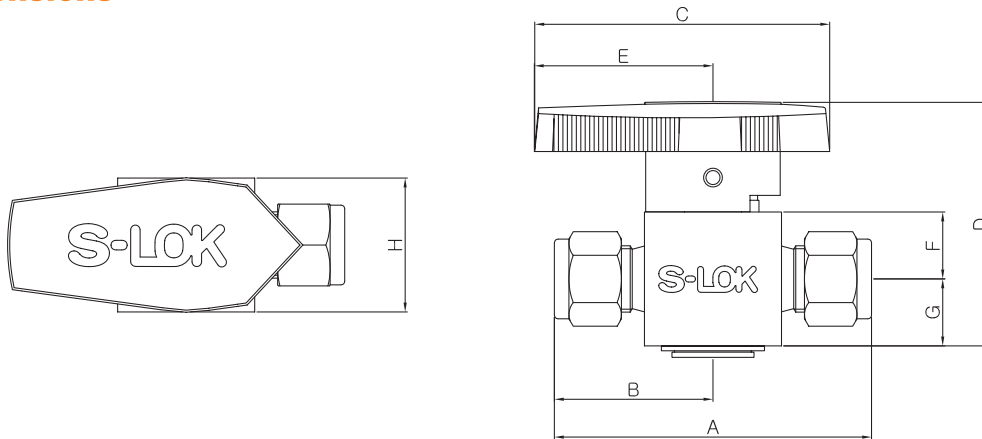


Downstream Vent

- Optional vented plug and valve body allow pressure release to atmosphere when the valve is closed.
- Maximum operating pressure 150psig (10.3bar).



Dimensions



Ordering Number	Orifice	Cv	End Connections		Dimensions (mm)									
			Inlet	Outlet	A	B	C	D	E	F	G	H		
SPV1	S-2T	4.4 (0.17)	0.1	1/8" S-LOK		50.5	25.3	47.8	36.6	29.0	9.4	11.7	19.1	
	S-4T		1.6	1/4" S-LOK		55.1	27.6							
	S-6T		1.1	3/8" S-LOK		58.2	29.2							
	S-6M		1.6	6mm S-LOK		55.1	27.6							
	M-2N		1.0	1/8" Male NPT		38.9	19.5							
	M-4N		0.9	1/4" Male NPT		48.3	24.2							
	MS-4N4T		1.0	1/4" Male NPT	1/4" S-LOK	51.8	24.2							27.6
	MF-4N		1.0	1/4" Male NPT	1/4" Female NPT	50.8	24.2							26.6
	F-2N		1.0	1/8" Female NPT		45.2	22.6							
	F-4N		0.9	1/4" Female NPT		53.1	26.6							
F-4R	0.9	1/4" Female PT		56.1	28.1									
SPV2	S-6T	7.2 (0.28)	6.4	3/8" S-LOK		67.6	33.8	63.2	54.1	38.1	14.2	16.8	28.4	
	S-8T		4.4	1/2" S-LOK		73.2	36.6							
	S-8M		6.4	8mm S-LOK		66.6	33.3							
	S-10M		6.4	10mm S-LOK		68.1	34.1							
	S-12M		4.8	12mm S-LOK		73.2	36.6							
	M-8N		2.4	1/2" Male NPT		67.1	33.5							
	F-6N		4.3	3/8" Female NPT		60.5	30.3							
	F-8N		2.7	1/2" Female NPT		73.2	36.6							
	F-8R		2.7	1/2" Female PT		79.8	39.9							

↗ Flow Rate

Ordering Number		Cv	Pressure Drop to Atmosphere (Δp), psi					
			Air Flow, SCFM@70°F(21°C)			Water Flow, US GPM @70°F(21°C)		
			1	5	10	1	5	10
SPV1	S-2T	0.1	0.3	0.8	1.1	0.1	0.2	0.3
	S-4T	1.6	6.0	13.0	18.0	1.6	3.6	5.1
	S-6T	1.1	4.1	8.9	12.4	1.1	2.5	3.5
	S-6M	1.6	6.0	13.0	18.0	1.6	3.6	5.1
	M-2N	1.0	3.7	8.1	11.3	1.0	2.2	3.2
	M-4N	0.9	3.7	8.1	11.3	1.0	2.2	3.2
	MS-4N4T	1.0	3.3	7.3	101.0	0.9	2.0	2.8
	MF-4N	1.0	3.7	8.1	11.3	1.0	2.2	3.2
	F-2N	1.0	4.4	9.7	13.5	1.2	2.7	3.8
	F-4N	0.9	3.3	7.3	10.1	0.9	2.0	2.8
F-4R	0.9	3.3	7.3	10.1	0.9	2.0	2.8	
SPV2	S-6T	6.4	23.9	52.0	72.3	6.4	14.3	20.2
	S-8T	4.4	16.4	35.7	49.7	4.4	9.8	13.9
	S-8M	6.4	23.9	52.0	72.3	6.4	14.3	20.2
	S-10M	6.4	23.9	52.0	72.3	6.4	14.3	20.2
	S-12M	4.8	17.9	39.0	54.2	4.8	10.7	15.2
	M-8N	2.4	9.0	19.5	27.1	2.4	5.4	7.6
	F-6N	4.3	16.0	34.9	48.6	4.3	9.6	13.6
	F-8N	2.7	10.1	21.9	30.5	2.7	6.0	8.5
F-8R	2.7	10.1	21.9	30.5	2.7	6.0	8.5	

↗ Testing

- Every valve is tested for shut off at 600psig (41bar).

↗ Ordering Information

