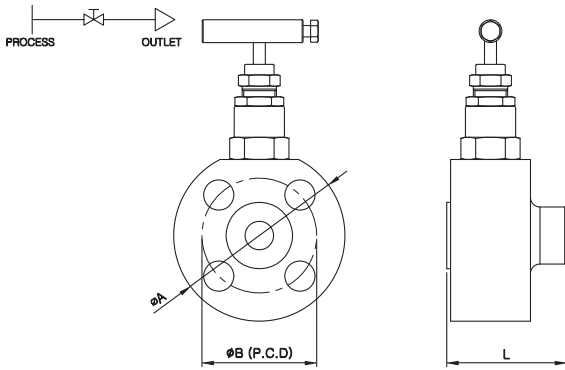
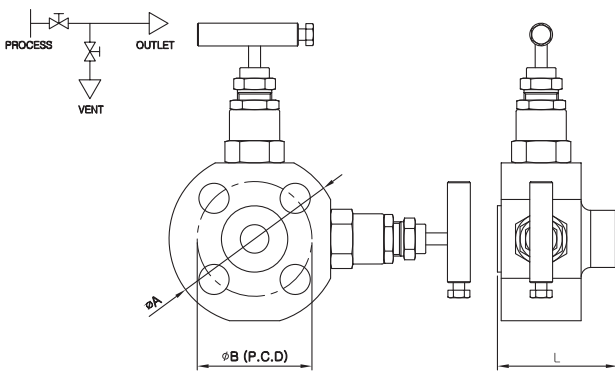


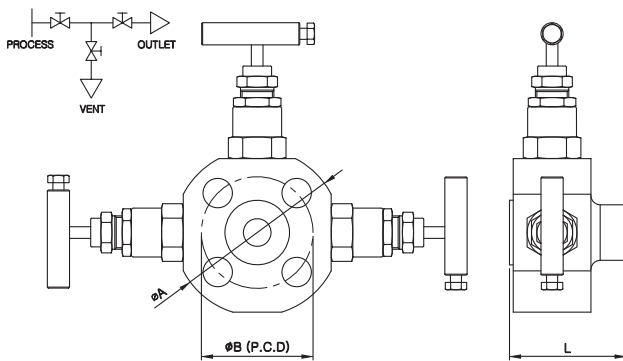
# SMNF Series Mono Flanged Valves



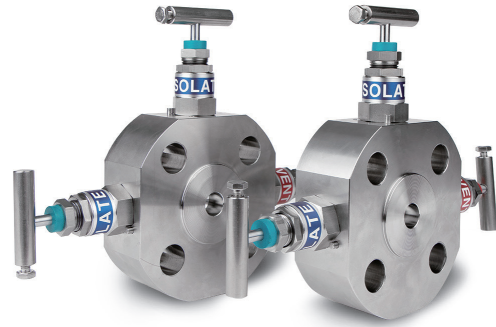
SMNF1P-A



SMNF2P-A



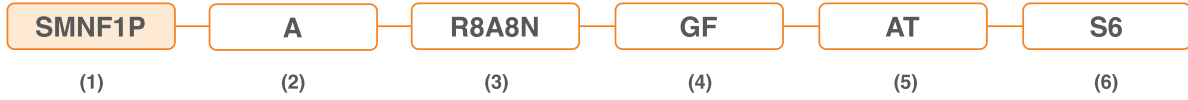
SMNF3P-A



## Dimensions

Size (Inch)	Pressure Rating (Class)	Dimension (mm)		
		L (RF)	øA	øB
1/2	150	63	90	60.3
	300	63	95	66.7
	600	68	95	66.7
	900/1500	68	120	82.6
	2500	68	135	88.9
3/4	150	63	100	69.9
	300	63	115	82.6
	600	68	115	82.6
	900/1500	68	130	88.9
	2500	72	140	95.2
1	150	63	110	79.4
	300	63	125	88.9
	600	68	125	88.9
	900/1500	72	150	101.6
	2500	72	160	108.0
1-1/2	150	63	125	98.4
	300	68	155	114.3
	600	72	155	114.3
	900/1500	72	180	123.8
	2500	78	205	146.0
2	150	68	150	120.7
	300	68	165	127.0
	600	72	165	127.0
	900/1500	72	215	165.1
	2500	78	235	171.4

## Ordering Information



### (1) Valve Model & Body Type

SMNF: Mono Flange Valves

**1P** : Block Valve  
**2P** : Single Block & Bleed Valves  
**3P** : Double Block & Bleed Valves

### (2) Valve Type (Primary – Secondary – Vent)

Valve type		Primary Valve	Secondary Valve	Bleed Valve
<b>1P</b>	A	Bolted Needle	-	-
	B	OS&Y Needle	-	-
<b>2P</b>	A	Bolted Needle	-	Bolted Needle
	B	OS&Y Needle	-	Bolted Needle
<b>3P</b>	A	Bolted Needle	Bolted Needle	Bolted Needle
	B	OS&Y Needle	Bolted Needle	Bolted Needle
	C	OS&Y Needle	OS&Y Needle	Bolted Needle

### (3) Connection Detail (Inlet – Pressure Class – Outlet)

<b>R-</b> : Raised Face <b>F-</b> : Flat Face <b>J-</b> : Ring Type Joint	<b>-R</b> : PT <b>-N</b> : NPT <b>-G</b> : PF	<b>8</b> : 1/2" (DN-15) <b>12</b> : 3/4" (DN-20) <b>16</b> : 1" (DN-25) <b>20</b> : 1-1/4" (DN-32) <b>24</b> : 1-1/2" (DN-40) <b>32</b> : 2" (DN-50)	<b>A</b> : CLASS 150 <b>B</b> : CLASS 300 <b>C</b> : CLASS 600 <b>D</b> : CLASS 900 <b>E</b> : CLASS 1500 <b>F</b> : CLASS 2500
---	---	---	--

### (4) Packing Material

**TE** : PTFE  
**GF** : GRAPHITE

### (5) Option

<b>FS</b> : Fire Safety <b>LD</b> : Locking Device <b>AT</b> : Anti-Tamper Key <b>WP</b> : Vent Plug	<b>FEA</b> : Fugitive Class-A <b>FEB</b> : Fugitive Class-B <b>V4N</b> : Vent 1/4" NPT
---	--

### (6) Body Material

<b>S6</b> : SS316/316L <b>S6L</b> : SS316L <b>S4</b> : SS304 <b>D</b> : UNS S31803 <b>SD</b> : UNS S32750	<b>S630</b> : SS630 <b>A400</b> : Monel 400 <b>A625</b> : Inconel 625 <b>A825</b> : Inconel 825 <b>AB</b> : AL-Bronze	<b>LF2</b> : A350 LF2 <b>105</b> : A105 <b>15N</b> : A105N
---	---	--

S-LOK®