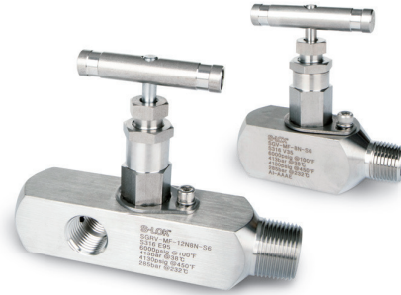


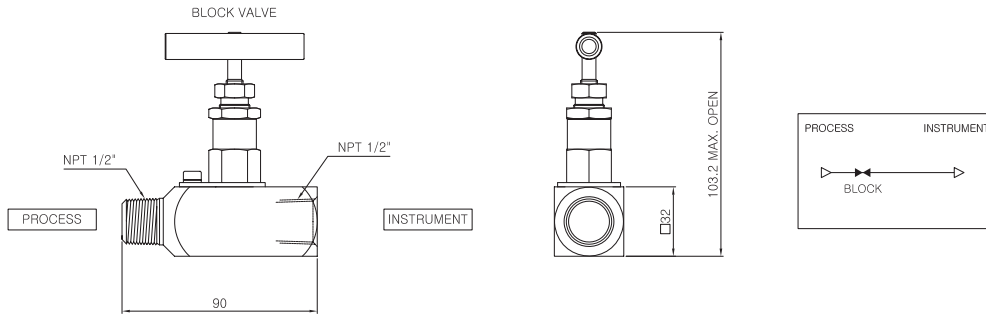
SGV & SGRV Series Gauge & Gauge Root Valves

Features

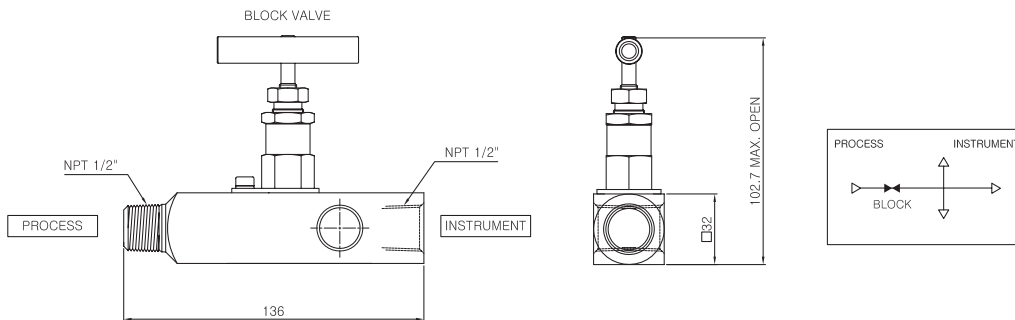
- The standard configuration has a male or female inlet and 1/2" female NPT outlet (gauge) port.
- Compact design requires minimum space for operation and installation.
- Locking device handle is optional.
- SGRV has extended 4.0 inch body for pipe insulation.
- Valve orifice standard are 6.4 mm (0.25in)



SGV-MF-8N



SGRV-MF-8N / SGRLV-MF-8N



Ordering Number	End Connection		Orifice Mm (inch)	Weight Kg (lb)	
	Process	Instrument			
SGV	MF-4N	1/4" Male NPT	1/4" Female NPT	4.5 (0.18)	0.6 (1.3)
	MF-8N	1/2" Male NPT	1/2" Female NPT	6.4 (0.25)	0.6 (1.3)
SGRV	MF-8N	1/2" Male NPT	1/2" Female NPT	6.4 (0.25)	0.9 (2.0)
	MF-12N8N	3/4" Male NPT	1/2" Female NPT	6.4 (0.25)	1.0 (2.2)
SGRLV	MF-8N	1/2" Male NPT	1/2" Female NPT	6.4 (0.25)	1.6 (3.5)
	MF-12N8N	3/4" Male NPT	1/2" Female NPT	6.4 (0.25)	1.6 (3.5)

* SGRLV Length : 184mm