

STV50 Series 3-Way Test Cock Valves

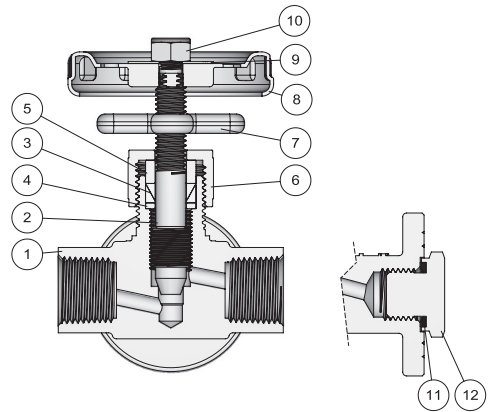
Features

- Pressure rating up to 5000psig (344bar) at 21 °C (70 °F).
- Temperature rating from -54 °C (-65 °F) to 232 °C (450 °F) with standard PTFE packing and up to 315 °C (600 °F) with PEEK packing.
- One-piece forged 3-way test cock valve.
- Added one more port to needle valve for testing.
- Variety of end connections include reliable tube fittings, male/female NPT & ISO threads.
- Available Sour Gas service per NACE MR0175.



Materials of Construction

No	Component	Material	
		Stainless Steel	Brass
1	Body	SS316 / A182	Brass / B124
2	Stem	SS316 / A479 or A276	
3	Packing Ring	SS316 / A479 or A276	Brass / B16
4	Packing	PTFE (Optional PEEK)	
5	Gland	SS316 / A276	Brass / B16
6	Packing Nut	SS316 / A276	Brass / B16
7	Lock Nut	Stainless Steel	
8	Round Handle	Stainless Steel	
9	Name Plate	Aluminum	
10	Hex Nut	Stainless Steel	
11	ED-ring	NBR (Optional FKM)	
12	Plug	SS316 / A479 or A276	Brass / B16



Technical Data

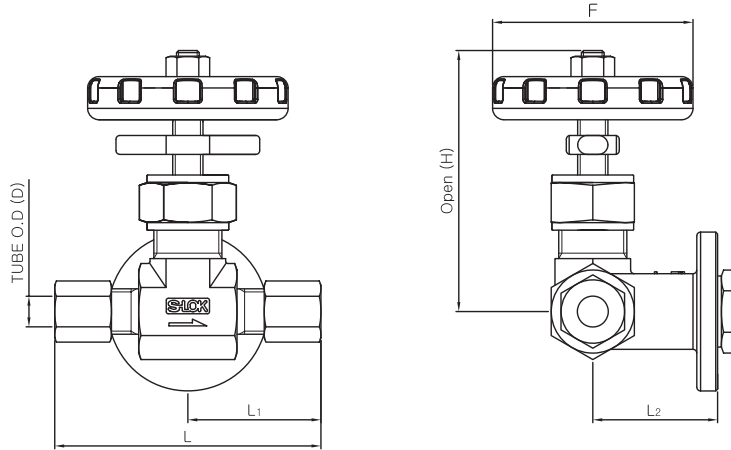
Pressure-Temperature Rating with Packing and Body Material

Valve Material	Stem	PTFE Packing (Standard)		PEEK Packing (Optional)	
		Temperature Range °C (°F)	Pressure Rating @38 °C(100 °F)	Temperature Range °C (°F)	Pressure Rating @Max. Temp.
Stainless Steel 316	Vee Stem (Metal Seat)	-54 °C to 232 °C (-65 °F to 450 °F)	5000psig (344 bar)	-54 °C to 315 °C (-65 °F to 600 °F)	3130psig (215 bar)
Brass	Vee Stem (Metal Seat)	-54 °C to 204 °C (-65 °F to 400 °F)	3000psig (206 bar)	-54 °C to 204 °C (-65 °F to 400 °F)	390psig (26 bar)

Testing

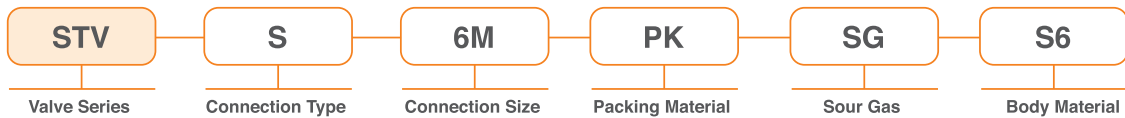
- Every valve is factory tested with Nitrogen @ 1000psig (69bar) for leak at the seats have a maximum allowable leak of 0.1 (SSCM).

↗ Ordering Information & Dimensions



Ordering Number	Orifice (mm)	End Connections		Dimensions (mm)						
		Inlet	Outlet	D	L	L ₁	L ₂	F	H	
STV	F-02R	1/8" Female ISO Thread		-	50.0	25.0	33.0	53.0	69.0	
	F-03R	3/8" Female ISO Thread		-	64.0	32.0				
	M-02R	1/8" Male ISO Thread		-	56.0	28.0				
	M-03R	3/8" Male ISO Thread		-	58.0	29.0				
	B-06M	6mm JIS 2351 Bite		6.0	65.6	32.8				
	B-08M	8mm JIS 2351 Bite		8.0	71.6	35.8				
	B-10M	10mm JIS 2351 Bite		10.0	73.6	36.8				
	B-12M	12mm JIS 2351 Bite		12.0	75.6	37.8				
	S-2T	4.0	1/8" S-LOK		3.17	58.4				29.2
	S-4T		1/4" S-LOK		6.35	63.4				31.7
	S-6T		3/8" S-LOK		9.52	66.4				33.2
	S-8T		1/2" S-LOK		12.7	72.0				36.0
	S-6M		6mm S-LOK		6.0	63.4				31.7
	S-8M		8mm S-LOK		8.0	65.2				32.6
	S-10M		10mm S-LOK		10.0	67.0				33.5
	S-12M		12mm S-LOK		12.0	72.0				36.0

* Dimensions are for reference only and are subject to change.



- Nil : PTFE
- Nil : Standard
- S6 : 316 Stainless Steel
- PK : PEEK
- SG : Sour Gas Service
- BS : Brass